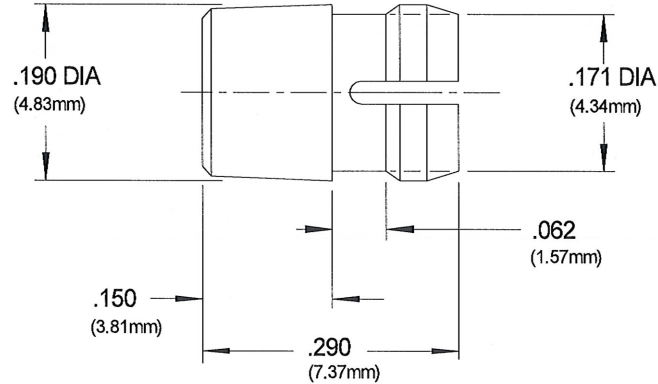
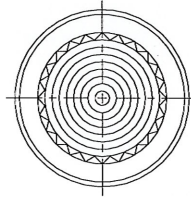


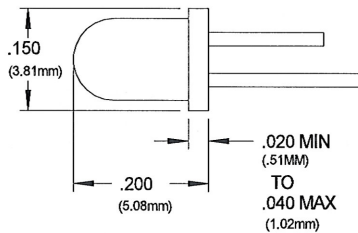


ACTUAL SIZE

APPROVAL	DATE
<i>[Signature]</i>	01/26/09



RECOMMENDED LED
SIZE T-1 (3MM)



LEDs with a major ID of .125" can be accommodated by reducing the panel mounting hole size.

ORDERING CODES

MODEL SML 190 RTP
COLOR _____

RTP Red Transparent BTP Blue Transparent
ATP Amber Transparent YTP Yellow Transparent
GTP Green Transparent CTP Clear Transparent
GLO White Translucent

NOTES:

MATERIAL: Polycarbonate
GLO Series - Polycarbonate/Acrylic blend

DESIGN: High profile lens using Fresnel rings.

MOUNTING: Mounts through the front of panel.
Mounting holes should be deburred but not chamfered.
Hole size .171"±.002 (4.34mm) on 1/4" centers.
Panel thickness 1/32" to 1/8"

For additional security use retaining ring
RNG 165 for use with .125" dia. LEDs

U.S. & Foreign Pat. Issued & Pend.

TOLERANCES (EXCEPT AS NOTED)	REVISIONS			
	NO.	DESCRIPTION	DATE	BY
DECIMAL ±.010	1	Add GLO Series	1/6/09	JG
ANGLE ± 30'	2			
DIAMETER .003 TIR	3			
RADII .008 Max	4			
	5			

VCC P/N: CLIPLITE® SML 190

VCC VISUAL COMMUNICATIONS COMPANY, INC.
190 Bosstick Blvd, Ste. 101 San Marcos, California 92069 U.S.A.
Phone: (760) 560-1300; Fax: (760) 560-1301; e-mail: vccsales@vcclite.com

DRAWN BY	DATE	DRAWING NO.	REV.
JMS	10/25/85	SML 190A	1
CHK'D	SCALE		
	5 X		